

**TRAFLEX**



**ZBin**



# About us

Traflux is a globally active **family business**. From the headquarters in Houthalen-Helchteren in Belgium, we develop and produce (semi-)underground waste containers. With superior materials, innovative designs, and cutting-edge techniques, we offer **waste solutions ranging from 100 to 5.000 liters**. And serve every sector in more than 30 countries.

We use the most advanced machines in our production plant which is almost 5.000 m<sup>2</sup> in size. We have **30+ years** of knowledge in distribution **all around the world**. Moreover, Traflux has its own collection company in Belgium. We empty more than 1.000 containers daily. So we have first-hand experience in the field with our own drivers.

We take our **environmental responsibility**: 99% of all our materials are reusable. Therefore we use as many untreated materials as possible. We produce more electricity from our solar panels than we consume and we use gas to heat our plastic production machines to have a very small carbon footprint. Our containers are certified by the EN 13071 norm, our lifting bags are ISO 21898 certified, our wood is PEFC certified and we produce in accordance with ISO 9001.

**TRAFLUX**

# Why choose a semi-underground solution?

**TRAFLEX**

## Size does matter

It's clear from the figure below: size does matter. Less containers are needed, and the time necessary to collect and remove waste is reduced. Lowering the costs of both investment and installation. Big volume, small appearance.

## Design & Ergonomics

Design has had a significant influence on the use and feel of the ZBin. All its elements have been unified to create a coherent whole and we have ensured that the container can be safely and easily used by the end user.

## Safe

Thanks to the inclusion of a barrier of at least 800mm in height, no gaping holes are left open as the semi-underground containers are emptied, protecting operators. Plastics also form duller edges and they neither splinter nor cut.

## Quality & Reliability

We use exclusively high-quality materials selected for their long life. Our virgin plastics have high UV stability and we have chosen to use either aluminium or stainless steel to eliminate corrosion. Our containers are seamless and carry double-walled lids.

## Environment

The materials used in our ZBin are 100% reusable, i.e. no concrete or galvanised steel. A ZBin weighs 15x less than a full underground system and as such, its transport and installation carbon footprint is smaller.

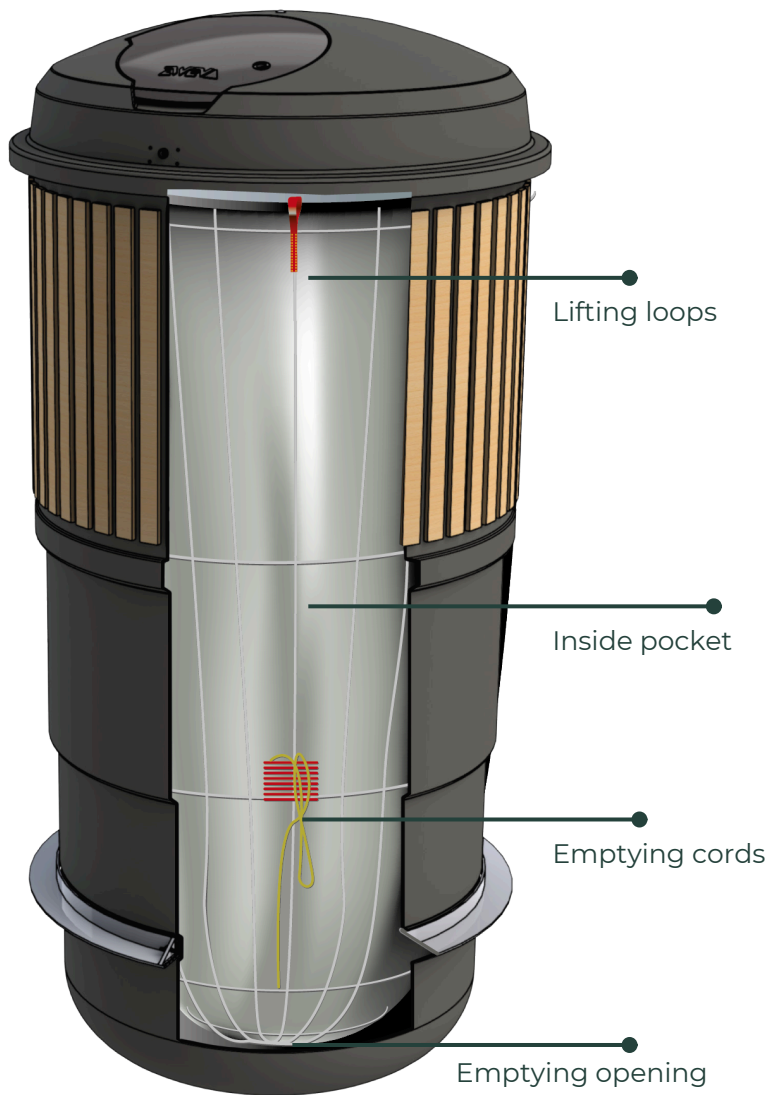
## Efficiency & Comfort

The efficiency of the semi-underground concept lies not only in how easily these containers are emptied, but also in the small amount of surface area needed to place them in the ground. In addition, our inner lid is much easier to open than those of alternative solutions.



Comparison between 1x ZBin 5000L, 6x 1100L wheelie bins and 35x 140L wheelie bins

**TRAFLEX**

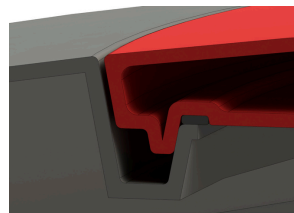


## Quality

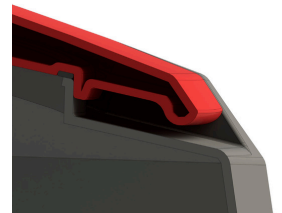
Traflux's ZBin is not only assembled from the best materials. The production of the individual components is also a function of quality and durability. For example, the underground barrel is created by rotation molding. This makes the construction of the barrel seamless and consequently equally solid everywhere. The anchoring is also worked on. It consists of a solid stainless steel ring that ensures a stable container.

## Emptying

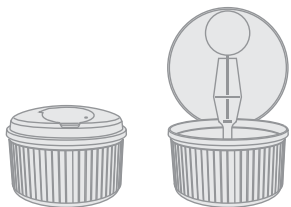
To easily lift the waste out of the container, the ZBin features an internal lifting bag. This makes the ZBin suitable for almost any type of waste. Depending on the size of the ZBin, the container can be used for the following waste types: paper/cardboard, PMD, glass, biowaste and residual waste.



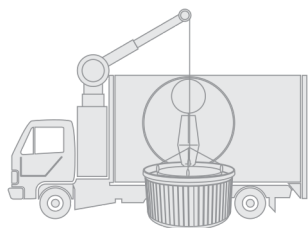
Detail section:  
"odor lock"



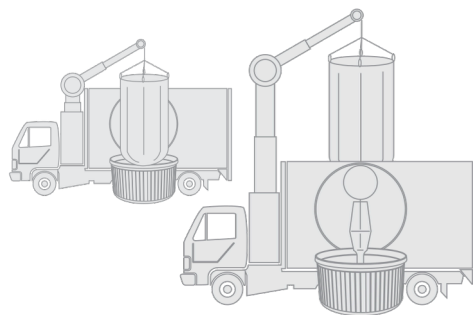
Detail of ergonomic  
handle (fully  
incorporated into lid)



**1.** The full ZBin is opened. A gas spring allows the lid to open easily.



**2.** The inner bag is attached to the truck by means of the loops provided.



**3.** The inner bag is lifted out of the container and emptied into the truck.



**4.** The ZBin is ready for use again.

## Filling lid color options



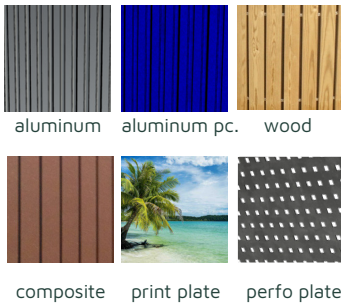
## Opening options



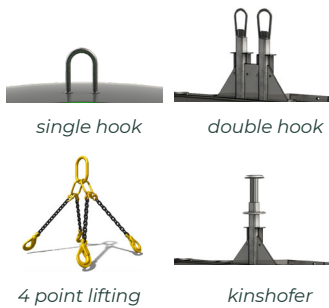
## Locking options



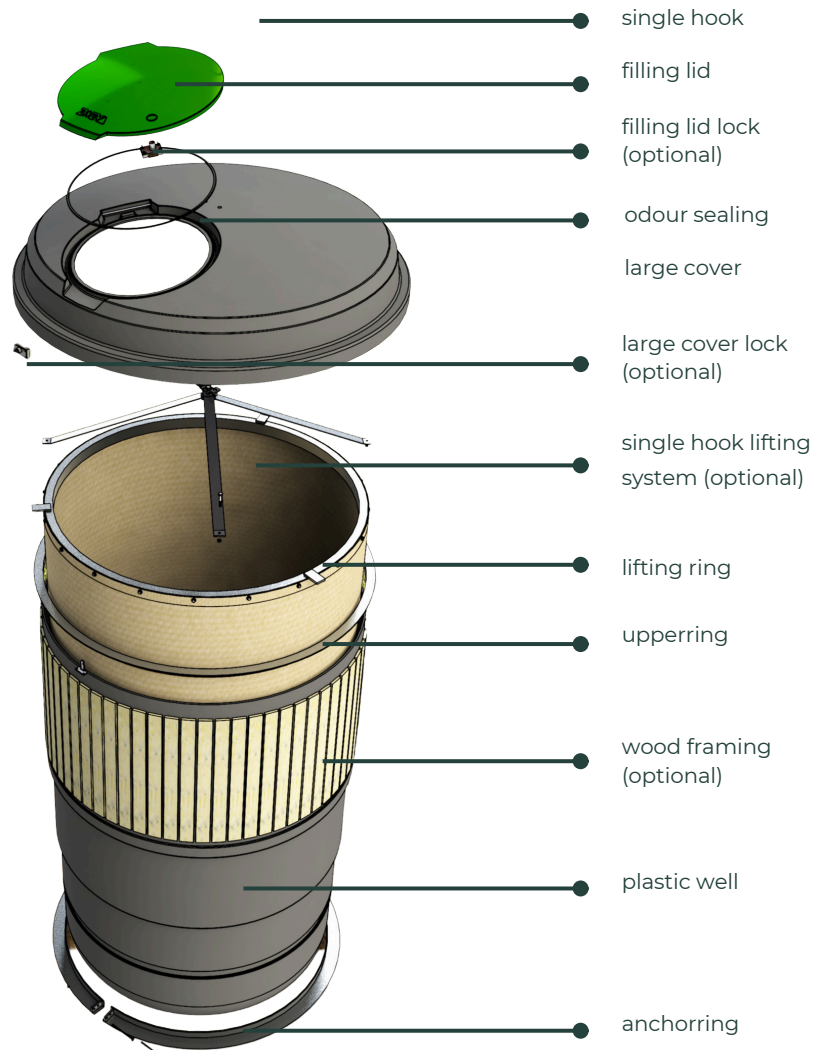
## Framing options



## Lifting options



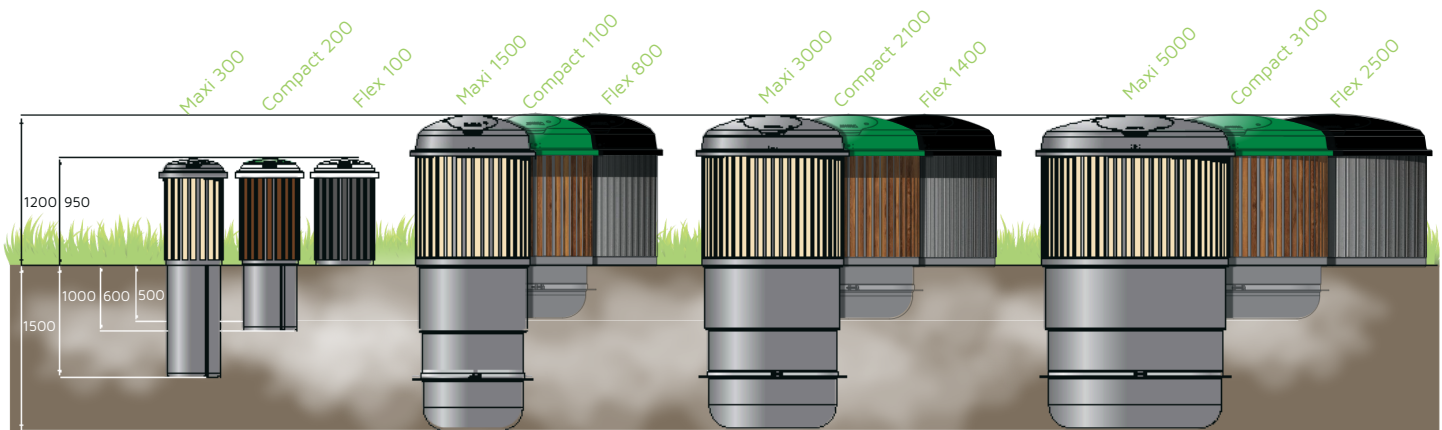
## Detailed view



## Lifting bags/containers



# ZBin - product range



Type	300L	200L	100L	1500L	1100L	800L	3000L	2100L	1400L	5000L	3100L	2500L
Height (mm)	1950	1550	950	2700	1700	1200	2700	1700	1200	2700	1700	1700
Width (mm)	Ø 590			Ø 1100			Ø 1300			Ø 1700		
Weight	35 kg	30 kg	25 kg	90 kg	70 kg	60 kg	130 kg	100 kg	87 kg	195 kg	150 kg	130 kg
Fill volume	0.3m <sup>3</sup>	0.2m <sup>3</sup>	0.1m <sup>3</sup>	1.5m <sup>3</sup>	1.1m <sup>3</sup>	0.8m <sup>3</sup>	3.0m <sup>3</sup>	2.1m <sup>3</sup>	1.4m <sup>3</sup>	5.0m <sup>3</sup>	3.1m <sup>3</sup>	2.5m <sup>3</sup>

## For all fractions

The ZBin semi underground waste containers are available in capacities from 100L to 5.000L. For garbage disposal, there are flexible bags, semi-hard bags or hard inserts. All solutions are adapted to the collected fraction what is recycled and stored.

## Compact

The ZBin Compact solutions were created to have the benefit of a larger volume combined with a max. 50cm depth installation. In some places it is too difficult or restricted to go deeper into the ground. Here the Compact is the way to go.

## Maxi

The ZBin Maxi solutions are the workhorses of the semi-underground bins. They offer the full benefit of the large volume on a limited surface area. For the highest efficiency in the collection part this is the type to go for. The installation depth is about 1,5 meter.

## Flex

If you need to be flexible with your waste storage solutions, the ZBin Flex solutions are ideal. They offer a high volume with quick emptying capabilities without the need to permanently install the containers. This solution is ideal for small & big events & festivals.



# References

**TRAFLEX**



**TRAFLEX**

**TRAF**FLUX

# YOUR WASTE OUR PASSION

**TRAF**LUX

Europark 1003, 3530 Houthalen-Helchteren

Belgium

Tel.: +32 11 51 62 77

Mail: [info@traflux.com](mailto:info@traflux.com)

Website: [www.traflux.com](http://www.traflux.com)

